

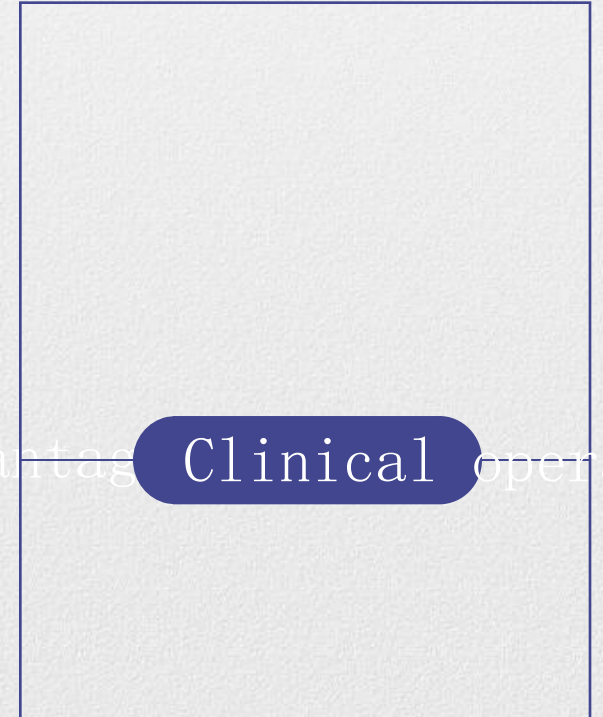
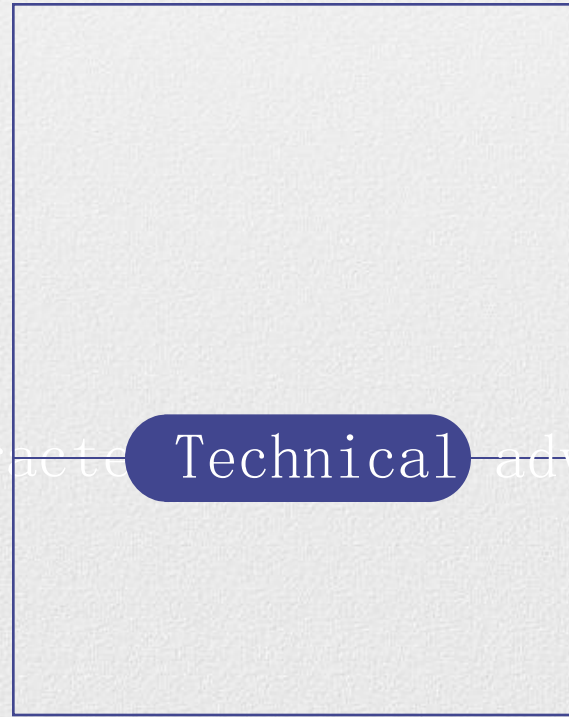
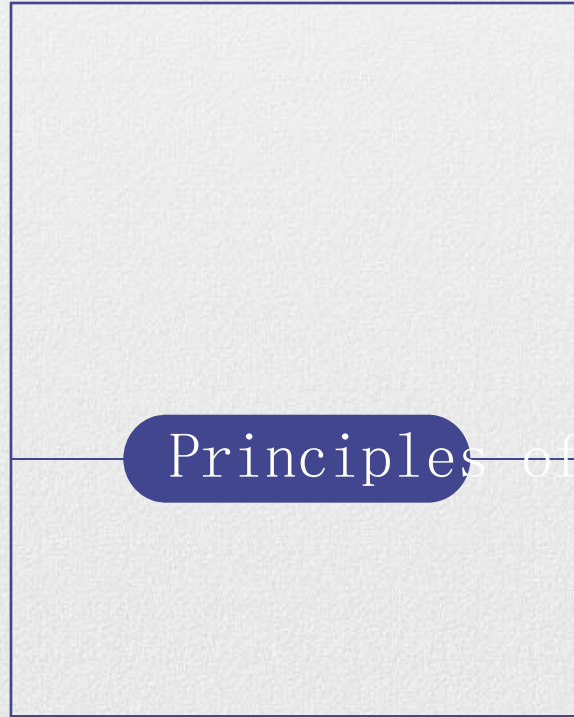
# DIOLASHEER ICE

1600s

Two-handed handle  
semiconductor laser  
hair removal  
*The most advanced and  
most effective  
instruments in the hair  
removal market*



# Directory



Principles of the

Treatment

Technical

Clinical

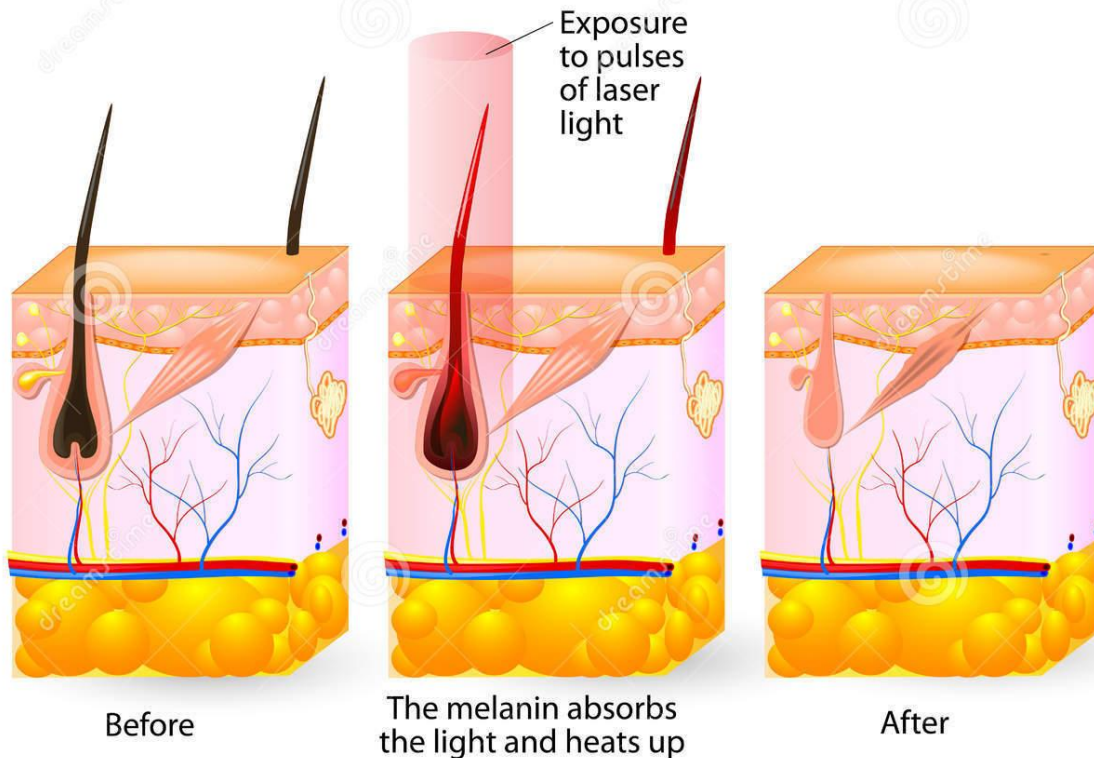
DIOLASHeer *ice*

## PART 01

Principles of the  
introduction

# Treatment principles

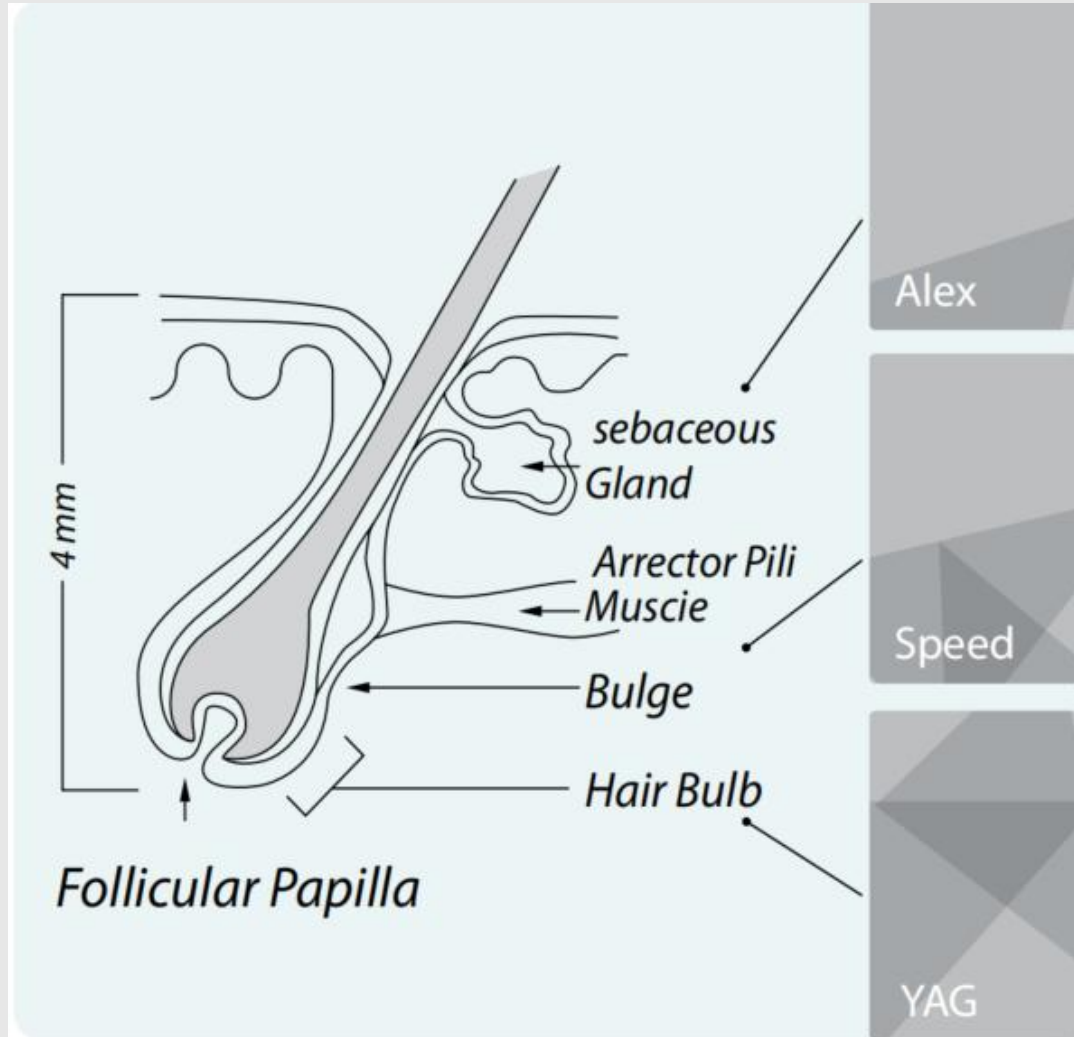
## LASER HAIR REMOVAL



The basic treatment principle of semiconductor laser hair removal device is selective photothermal decomposition. The outer hair root sheath is rich in melanoid body, which can selectively absorb the energy of the laser. The 808nm laser and 808nm laser is easily absorbed by the colored hair follicle without damaging the skin tissue, and the energy emitted by light is absorbed by the pigment in the hair follicle, thus increasing the temperature of the hair follicle. When the temperature rises to a certain extent, the hair follicle will suffer irreversible damage, thus achieving the purpose of permanent hair removal.

Hair growth is divided into growth, regression, and quiescence. Three periods began again. The asers is only effective for growing hair and not for degenerative and quiescent hair. In general, hair accounts for 1 / 5 to 1 / 3 of the growth, so laser or photons must be treated about 5 times in succession to completely remove the hair.

# Three-band treatment principle



## ALEX 755nm WAVELENGTH

The Alexandrite wavelength offers more powerful energy absorption by the melanin chromophore, making it ideal for the widest range of hair types and color—especially light-colored and thin hair. With more superficial penetration, the 755nm wavelength targets the Bulge of the hair follicle and is especially effective for superficially embedded hair in areas such as the eyebrows and upper lip.

## SPEED 810nm WAVELENGTH

The classic wavelength in laser hair removal, the 810nm wavelength, offers deep penetration of the hair follicle with high average power, a high repetition rate and a large 2cm spot size for fast treatment. The 810nm has a moderate melanin absorption level making it safe for darker skin types. Its deep penetration capabilities target the Bulge and Bulb of the hair follicle while moderate tissue depth penetration makes it ideal for treating the arms, legs, cheeks and beard.

## YAG 1064nm WAVELENGTH

The YAG 1064 wavelength is characterized by lower melanin absorption, making it a focused solution for darker skin types. At the same time, the 1064nm offers the deepest penetration of the hair follicle, allowing it to target the Bulb and Papilla, as well as treat deeply embedded hair in areas such as the scalp, arm pits and pubic areas. With higher water absorption generating a higher temperature, the incorporation of the 1064nm wavelength increases the thermal profile of the overall laser treatment for most effective hair removal.

755nm is for light hair and light color sparse hair

The 808-810nm works for most skin tones and most hair

1064nm is penetrating and suitable for dark skin and deep hair treatments

DIOLASHeer *ice*

PART 02

Treatment characteristics

# Treatment characteristics

## Comfort

The handle is equipped with a special temperature sensing system. Through software control and relying on the powerful refrigeration system of the machine, the handle temperature can reach -30°C degrees Celsius. The skin contact surface is made of sapphire material, with excellent cold conduction effect, comfortable treatment and no pain

## Valid

3000W super strong complete machine power with high power hand gear, strong power. The ordinary machine hair removal cycle is 6-8 times, and the machine only needs 3-5 times.

## Fast

10Hz (20hz) sliding therapy, high energy short pulse width output mode, greatly shorten the treatment time.

## Safety

ISO13485 System, TUV Medical CE and US FDA



DIOLASHeer *ice*

PART 03

Technical advantages

## Technical parameters

Operating voltage of 220V/110V

Complete power is 3000W

The wavelength is 808 nm,

755/808/1064

Outmode Pulse output

Control mode Touch control

Host screen size: a 12.1-inch capacitive screen

Handle screen size 1.54 " capacitive screen

Resolution of 1,280 \* 800

Handle: 600W, 1200W, 1600W, 1800W

Spot area is 12 \* 12, 12 \* 20, 12 \* 24, 12 \* 28mm

Maximum output energy of 120J

Energy regulation range is 20-120J/CM<sup>2</sup>

Pulse Width Range 1-300MS (500W), 1-200ms (1000w-1800w)

Frequency 1-10HZ, 1-20HZ (1800W)

Spot surface temperature-10-30°C

Cooling system Semiconductor refrigeration + water cooled +  
air cooled

Handle cooling power is 108W

Semiconductor water-cooled power is 300W\480W

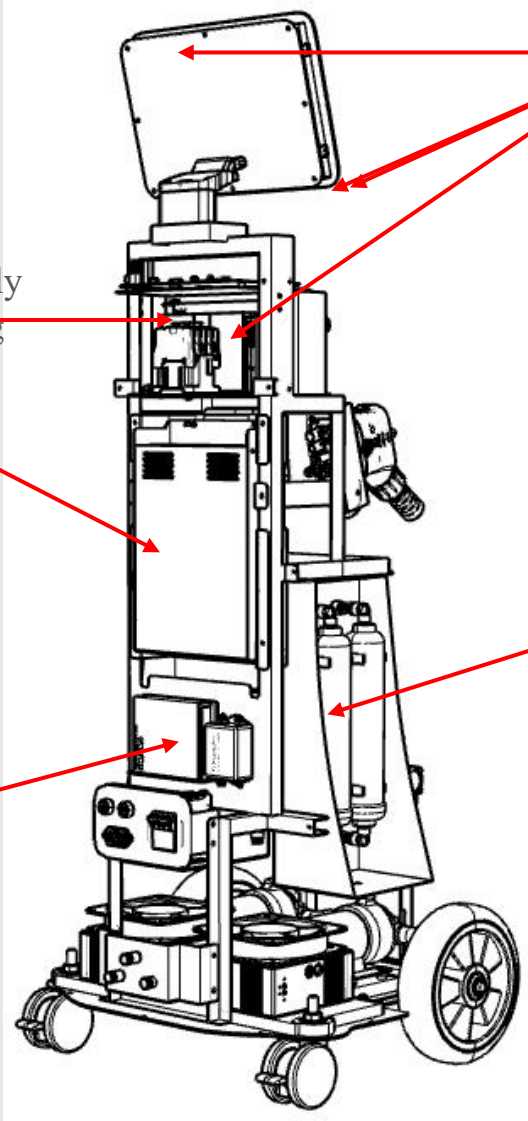
Complete machine weight is 54KG

Machine size 512 \* 541 \* 1303

Package size 630 \* 690 \* 1210

Packaging weight is 80KG

# Internal introduction



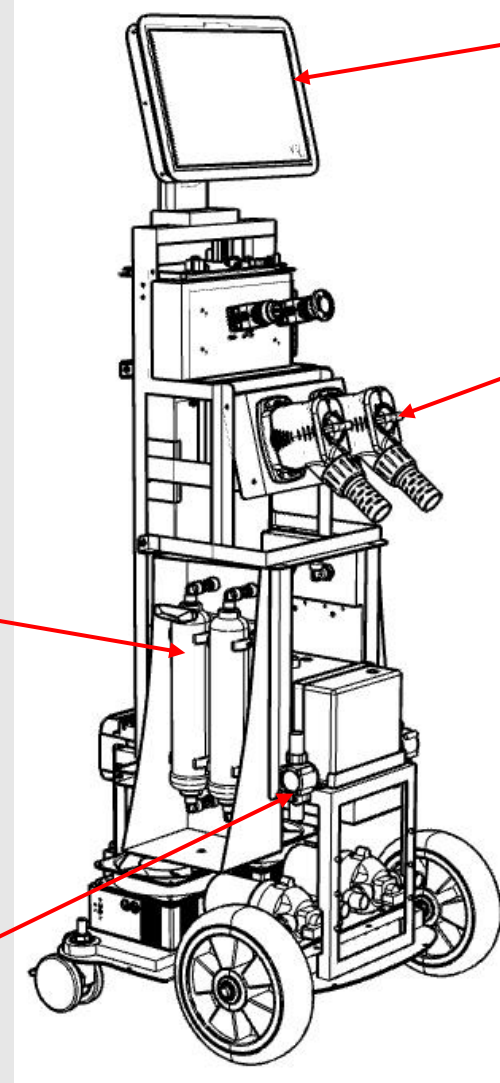
Main control board:  
connect the display screen  
to control the operation of  
the whole machine

Switch power  
supply: power  
specifically for  
electronic  
refrigeration

Filter, two on each  
side

Leakage protector

Flow meter, one per  
handle



The 12 " capacitive  
screen

Knob  
plug  
part

Rolling and  
plastic  
water tank

Two water  
pumps

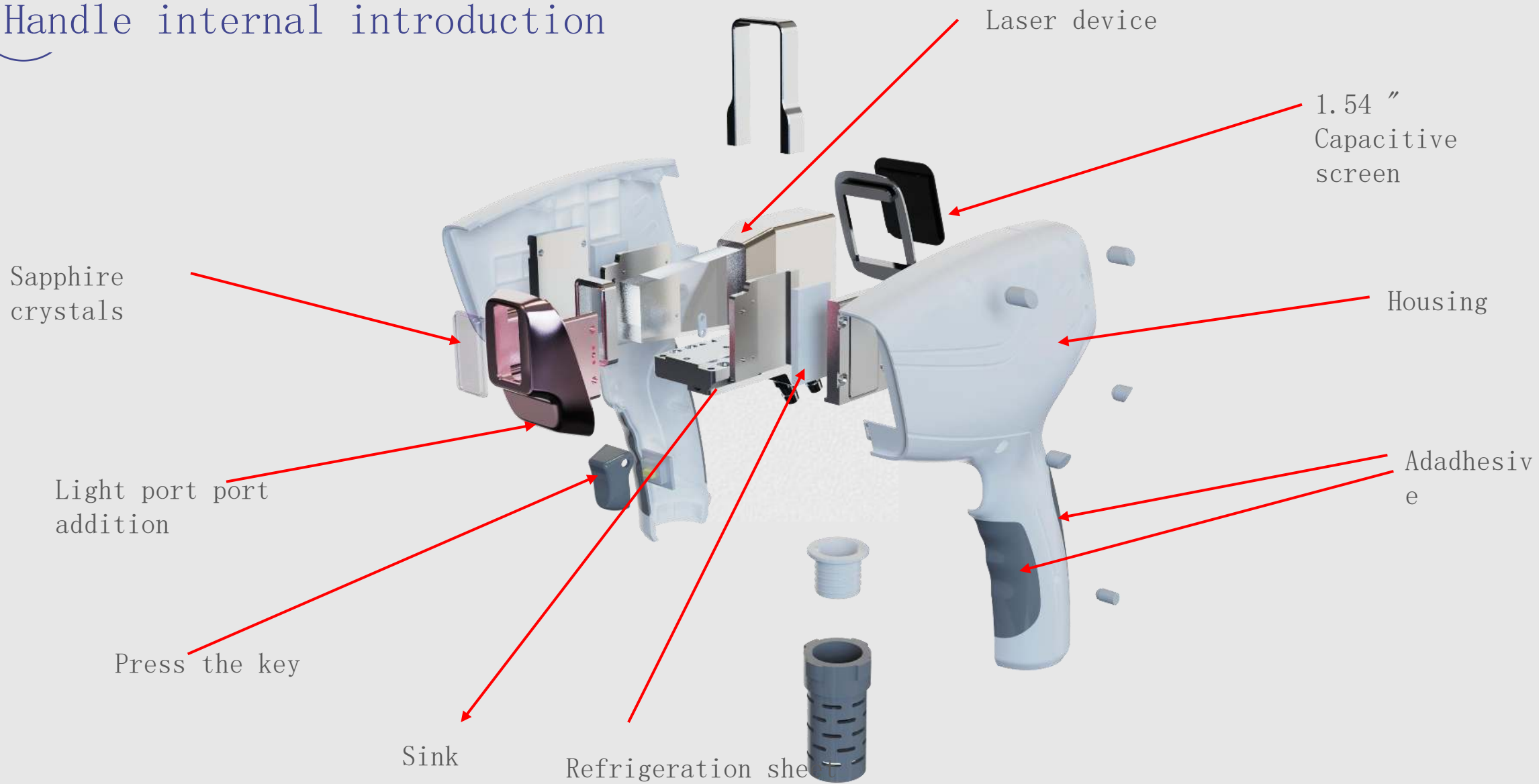
Switch power supply: supply  
power to the handle cooling  
plate and control board

808 Main power supply:  
power the handle energy  
output

Switch on the power  
supply:  
Dedicated for water  
pumps and fans

Two electronic  
refrigeration modules

# Handle internal introduction



# Product upgrade

Laser device relative efficacy

## American Coherent bar

## 600W-1800w

## Quality warranty 100 million times in two years



1. Palladium imported palladium bars, well-known manufacturers for gold tin packaging, crystal and laser integration, high energy, long life, packaging and not easy to damage
- 2, the single target bar energy is 100W, supports 600w-1800w of 600 w-1800w power, the company standard 600w 1200w 1600w 1800w, of other power can also be customized to customer needs.
3. The warranty is guaranteed 100 million times in two years
4. The crystal adopts the quartz crystal, and because the quartz crystal has a good hot and cold expansion coefficient, it can ensure that the crystal is not damaged during its use
5. Lasers with high current and low pulse width have high energy, short time, better treatment effect and more comfort

# Product upgrade

## Handle

acy

1. The handle screen adopts a 1.54 " OLED capacitance screen with a resolution of 240 \* 240. The handle can communicate with the host machine and adjust the energy, pulse width and frequency on the handle. Easy and easy to operate.

2. Add the temperature display function to the handle screen to monitor the light outlet temperature in real time

3, there are 4 species of 12 \* 12,12 \* 20,12 \* 24, and 12 \* 28

The 600W handle is standard with 12 \* 12 spots

The 1200W handle is standard with 12 \* 20 spots and makes 12 \* 12 spots

The 1600W is standard with 12 \* 24 spots for 12 \* 28 spots

The 1800W is standard with 12 \* 28 spots and makes 12 \* 24 spots

4. Special facial treatment head to facilitate the treatment of nasal hair, ear hair, hairline and other small parts (limited to 12 \* 12 light spot handle)

5. The handle shell increases the holding comfort; the handle button adopts the waterproof button switch of Omron OMRON imported from Japan, with a long service life and can reach a service life of more than 1 million times. Even condensation drops onto the button will not have any effect

The 6,1800w handle supports up to 20 light per second for increasing treatment efficiency



# Product upgrade

Power supply + refrigeration system + screen

## Power supply

## Host refrigeration

## Handle refrigeration

## Screen



The 4000W power supply

The 2000W power supply



240w cooler

150w cooler



Double cooling sheet

Single refrigeration sheet



The 1,600–1200w machine uses peak power 2000w power and machines over 1200w uses 4000w power, ensuring the energy output of the high power 808 handle.

The 2,600–1200w machines adopt 2 150W electronic refrigerators and 2240 W high power refrigerators for the machines above 1200w. Can ensure that the water temperature is always at the proper temperature. Avoid laser damage due to high temperature, which can increase the service life of the laser.

3, the refrigeration power of the new handle is doubled compared with the previous, using 2 high power refrigeration tablets, single power 54w, handle refrigeration power to 108W, can ensure that the handle can also have a comfortable treatment feeling when high power and high energy output.

4, the screen is changed from 12-inch resistance screen to 12-inch capacitive screen, 1280 \* 800 high resolution, using tempered glass and screen plane integrated design, beautiful, atmospheric, sensitive touch and clear display. The screen can be split, the screen can be removed and shipped, can save to reduce freight, save shipping costs. Easy and easy to install.

# Internal structure

Internal modular design, easy maintenance; water and electricity separation protection



Dual filter, while filtering impurities and ions, dual protection; filter external, and using a plug-in structure, easy to replace. Four large filters are adopted, and each handle has an independent water filter, which allows small water pressure, ensures normal water use and long filter use time.

High-power rotary plug lock, easy to install, to ensure the high power output of the handle. With the installation in place detection function, can control the start and stop of the pump, loose reminder, to prevent drag and leakage damage target. Install all installed indicator in installed as a reminder.



•Main control board, the main control board designed and developed by itself, design a variety of detection and alarm control, double-way water flow detection, double-way handle identification, double-way water pump start-stop detection, water temperature detection from time to time.



•All switch power supplies use Mingwei switch power supply, with CE certificate, reliable, quality guarantee.

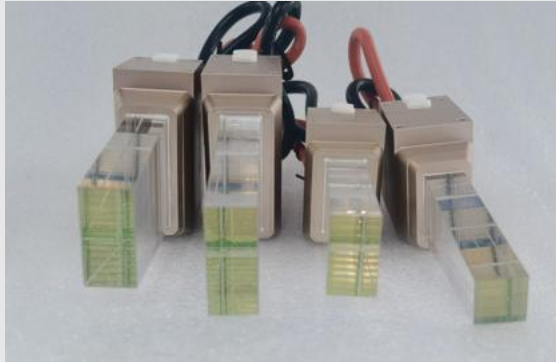


•A total of two flow meters, each handle has a corresponding flow meter to detect the water flow, to ensure that the 2 water waterway any water flow problem, will call the police.

# Laser + power supply

Guarantee of curative efficacy

## American Coherent Laser 600-1800w



Laser + power supply is the guarantee of machine efficacy  
An effective hair removal device must be equipped with a high-power laser. If the low-power laser wants to achieve a better effect, it has to improve the pulse width, which improves the comfort level of treatment, and the treatment speed is also affected.

The power supply is a device that supplies the handle energy output, and using a high power laser has to have a high power supply that can power it continuously.

## High-power main power supply is 2000-4000W



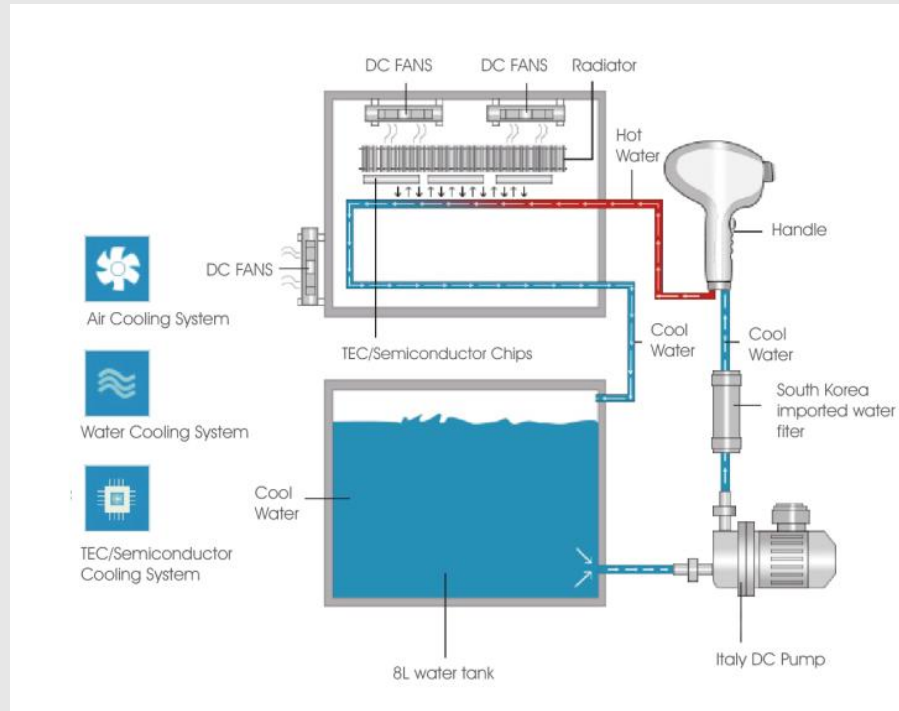
# Refrigeration system

If the refrigeration system is not good enough:

- 1 Inlucet treatment comfort
- 2 Inlucet the duration of the machine
- 3 Inlucet the machine stability and service life



The handle is equipped with a special temperature sensor system. The temperature of the spot surface is fed back to the handle screen in real time. The skin contact surface is made of sapphire, with excellent cold conduction effect, and treatment comfort and completely no pain. Two high-power refrigeration sheets, to ensure the continuous operation of the handle, not easy to overheating.



Two 240 W semiconductor electronic refrigeration modules with small volume, high power, low noise, convenient installation and disassembly, long service life, and zero maintenance to ensure that the water temperature is always at the proper temperature. Avoid laser damage due to high temperature, which can increase the service life of the laser.



Inside the machine are separate power supplies dedicated to the refrigeration system and those dedicated to the pump to ensure that the refrigeration power is sufficient

Electronic refrigeration: air and cold water cold semiconductor, intelligent temperature control water temperature is constant below 28 degrees Celsius, to ensure that the cooling water flowing into the handle is always cold water, will not burn the target bar because of the high water temperature, to ensure

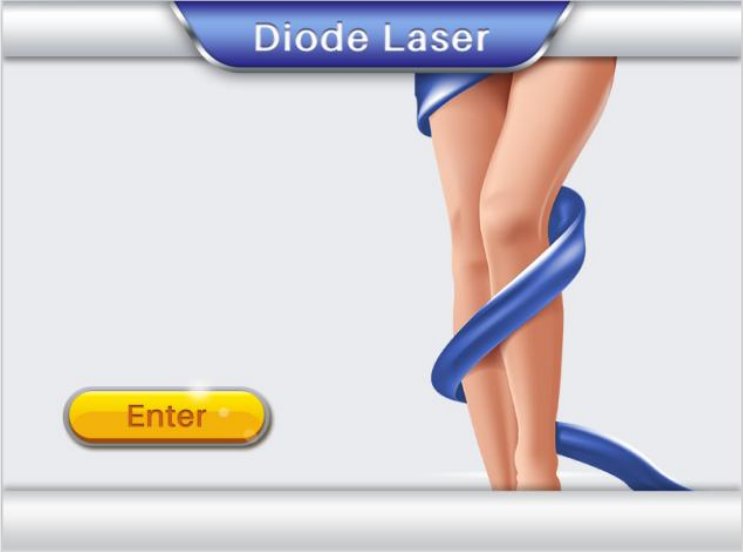


The machine adopts 2 water pumps, each handle has its own independent water circulation system, which can ensure that the water flow, flow speed can meet the needs of each handle laser. Water pump motor imported from Italy, small noise, no resonance flow.

Rolling plastic water tank, water tank integrated molding, wall thick, solid, reliable, no impurities



# Operating interface



Open the machine interface



Handle selection interface



Headsearch interface



Background setup interface

# Operating interface

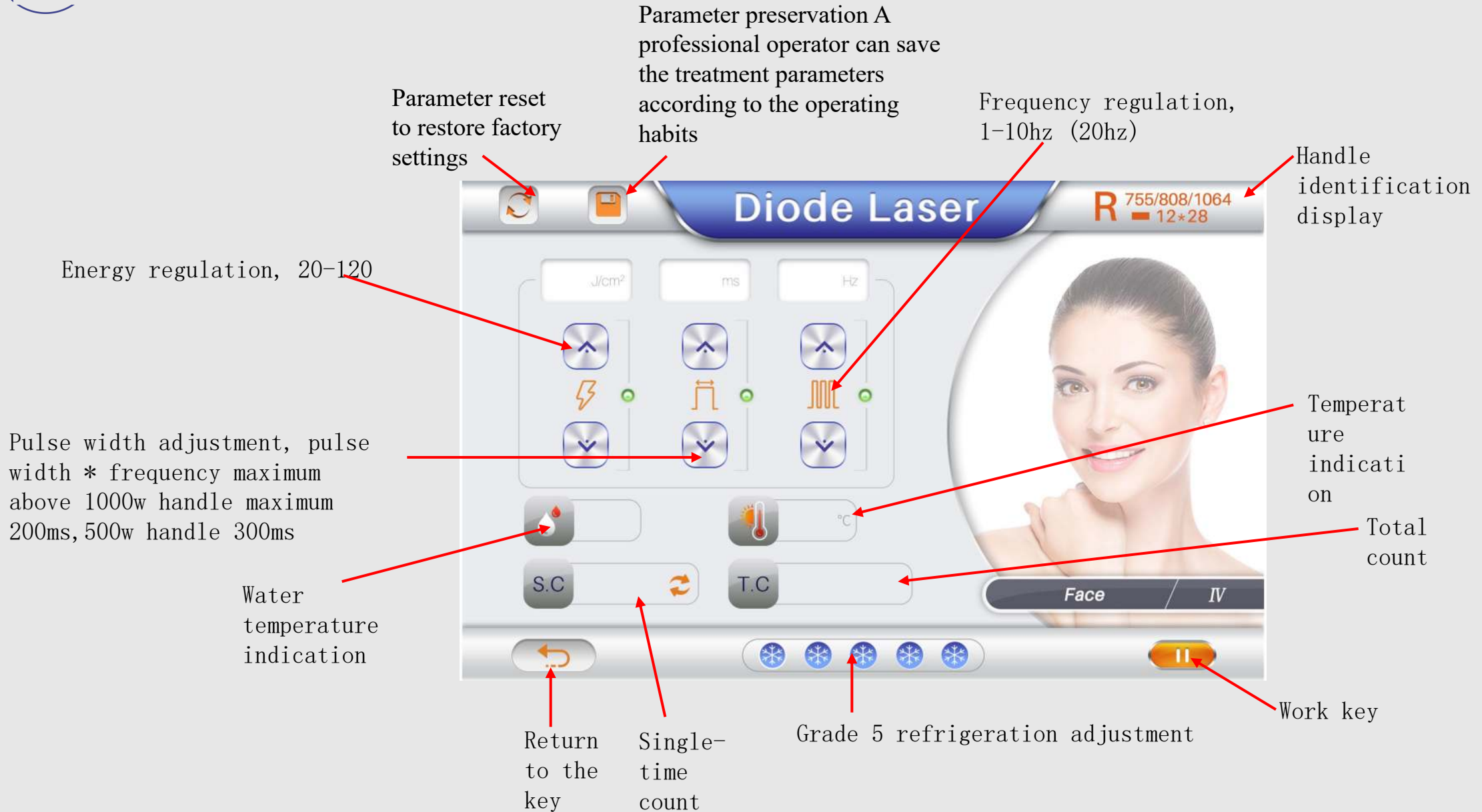


Skin color selection



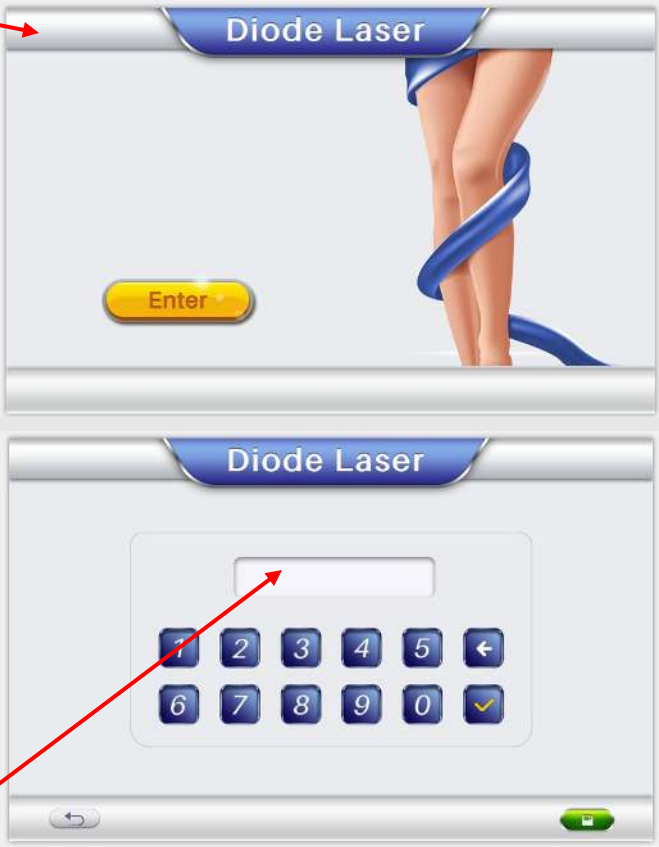
Six skin color options, a variety of different treatment sites, there are clinical tested treatment parameters preset, the operator can directly choose the sex, skin color and treatment site for treatment, without adjusting any parameters.

# Operating interface



# Background interface

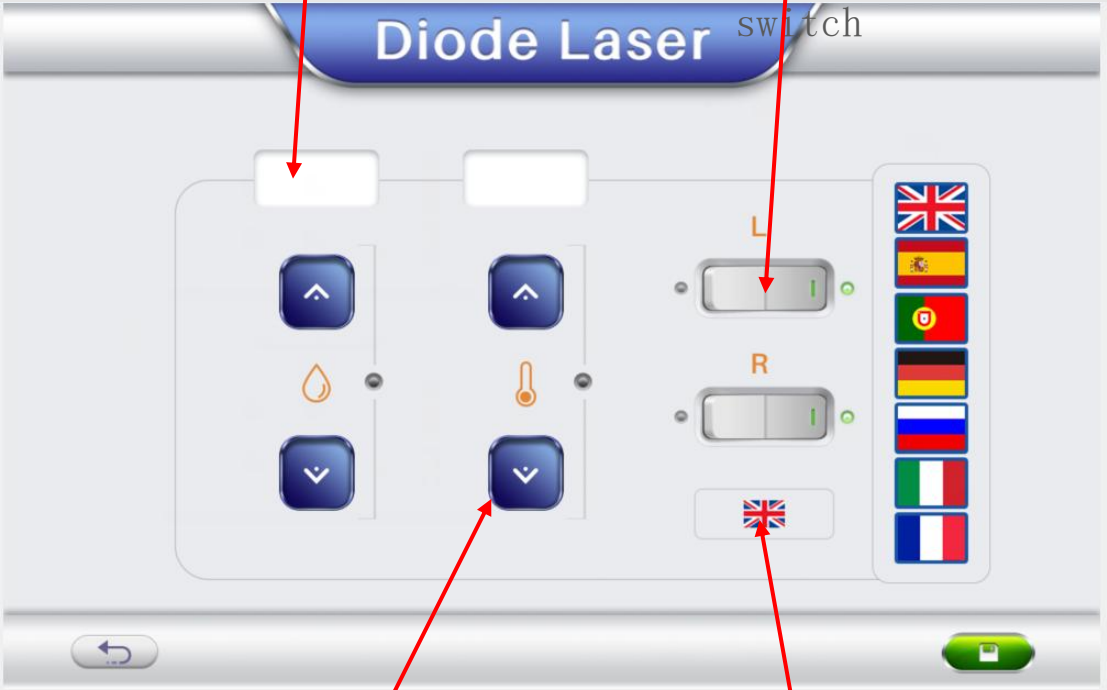
This position clicks 10 times to enter the password setting interface



Password Interface  
225426

Water flow alarm value setting

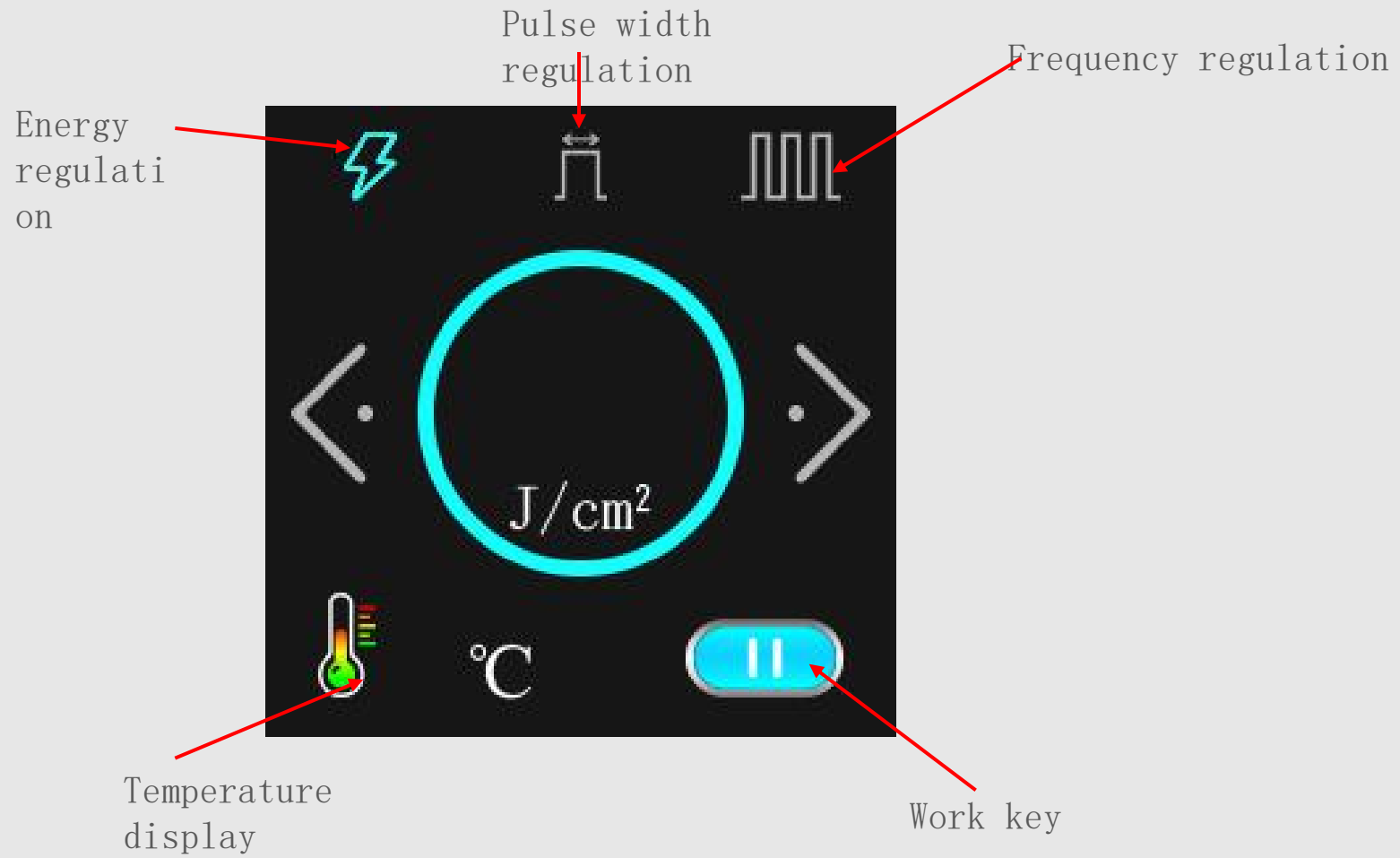
Distance sensor switch



Temperature alarm value setting

Language selection

# Handle interface



**DIOLASHeer** *ice*

**PART 04**

**Clinical operation**

## Operation precautions

1. Ask guests whether they have sun exposure within two weeks or other types of hair removal items before treatment
2. On the day before the treatment, remove the hair from the treatment site
3. The gel should not be applied too much, with a thin layer to ensure that the handle slides normally
4. During the treatment process, keep the uniform sliding speed, and control the sliding speed and times according to the guests' feelings and selected frequency. Do not stay in the same treatment area.
5. It is normal to ask the guests to feel, warm, burning and slight tingling during the treatment.
6. During treatment, the handle should be in contact with the skin at any time with no space to burn the skin.
7. After treatment, the skin surface is slightly red and has a strong heat feeling under the skin. The local area can show the root bulge of the hair follicle, and the hair can be gently pulled out with tweezers.
8. After treatment, there can be a local ice compress to reduce the discomfort.
9. Communicate with the guests about the next treatment time, and the hair removal cycle is usually 3-8 times, done every 28 days or so. The treatment cycle and frequency can also be set according to the growth rate of the hair in different parts of the guest.
10. After treatment, pay attention to sunscreen, do not contact hot water in the treatment area for three days, and fast spicy and stimulating food.

## Available models with screen hand

machines with screen hands are available only for capacitive screens



Single head are available



In addition, the observation can do 1200w and less, can not do high power